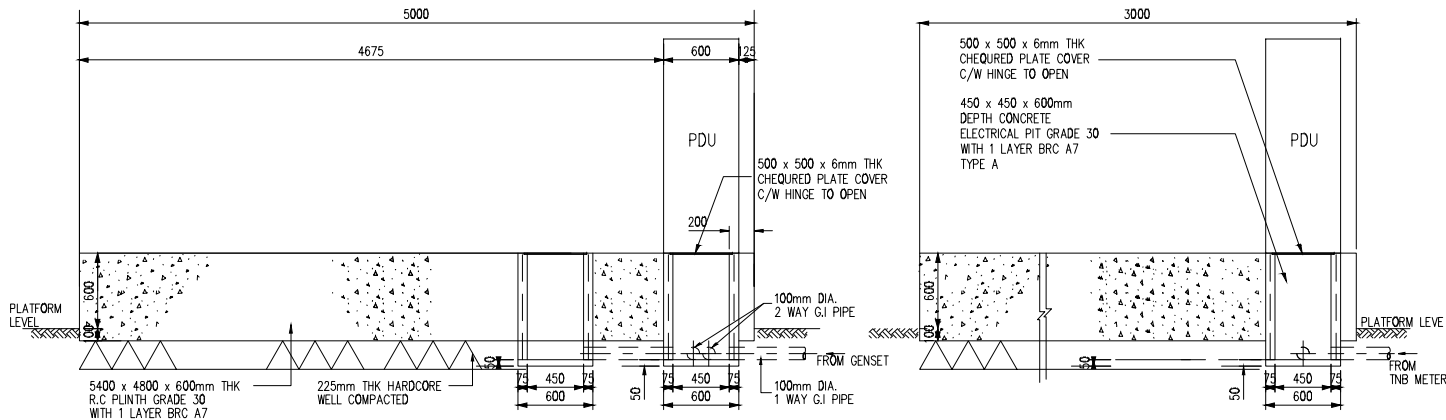


LAYOUT PLAN OF BTS PLINTH



LONG SECTION OF BTS PLINTH

CROSS SECTION OF BTS PLINTH

NOTE:

INVITATION REFERENCE NO:
MCMC/RDD/PDD(4)/T3_Extn(P2)/
TCA/12/14(12)

PROJECT TITLE:
TIME 3 - EXTENSION
(24M MONOPOLE - SPOKE SITE)
NATURAL DISASTER DESIGN

DRAWING TITLE:
DRAWING 2:
NATURAL DISASTER DESIGN FOR
DETAILS OF BTS PLINTH FOR SITE WITH
MONOPOLE 24M PLAN,
SECTIONS AND DETAILS

DATE: DEC 2014

SCALE: 1 : 40