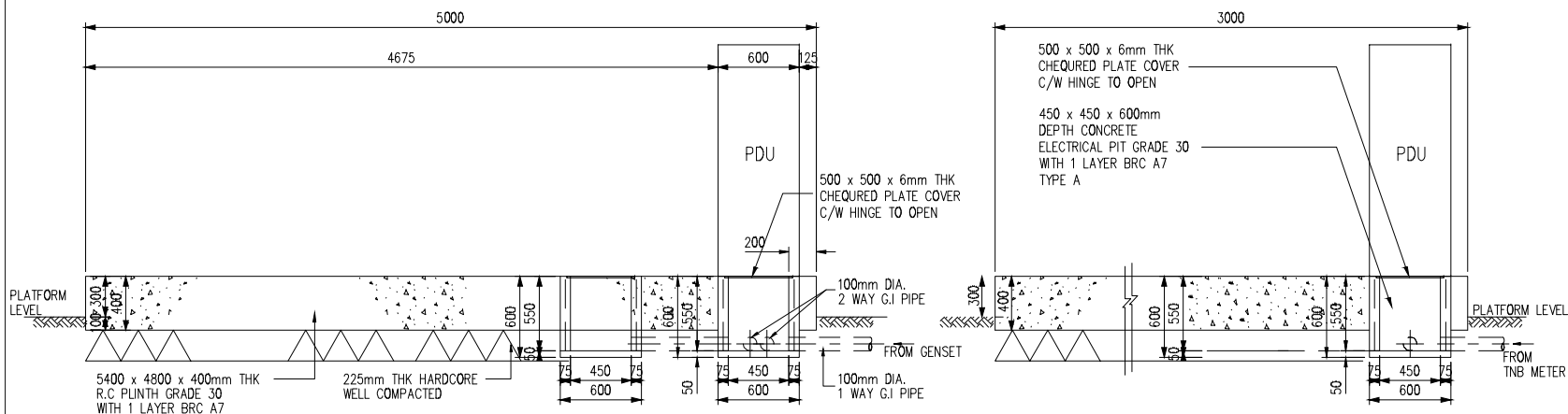


LAYOUT PLAN OF BTS PLINTH



LONG SECTION OF BTS PLINTH

CROSS SECTION OF BTS PLINTH

NOTE:

INVITATION REFERENCE NO:
MCMC/RDD/PDD(4)/T3_Exfn(P2)/
TCA/12/14(12)

PROJECT TITLE:

TIME 3 - EXTENSION
(24M MONOPOLE - SPOKE SITE)

DRAWING TITLE:

DRAWING 13:

DETAILS OF BTS PLINTH FOR
SITE WITH MONOPOLE 24m LIGHT DUTY
PLAN, SECTIONS AND DETAILS

DEC 2014

SCALE: 1 : 40