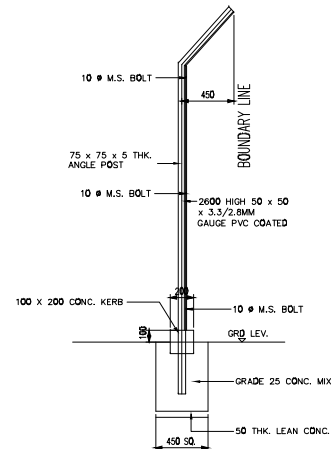
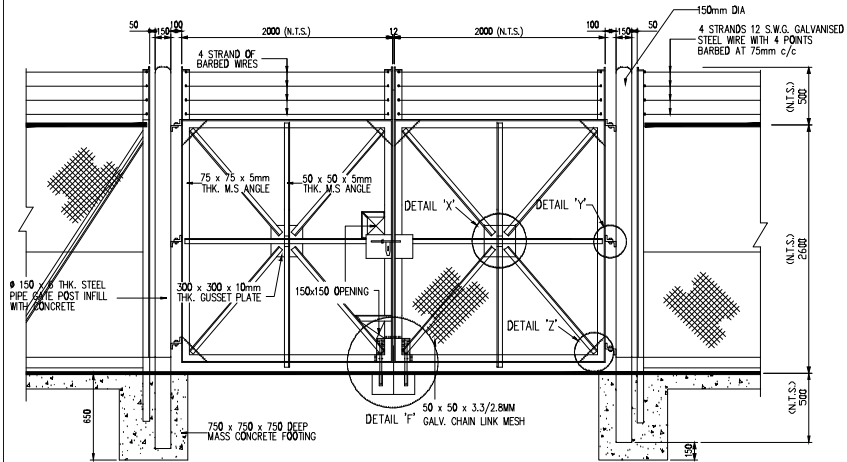


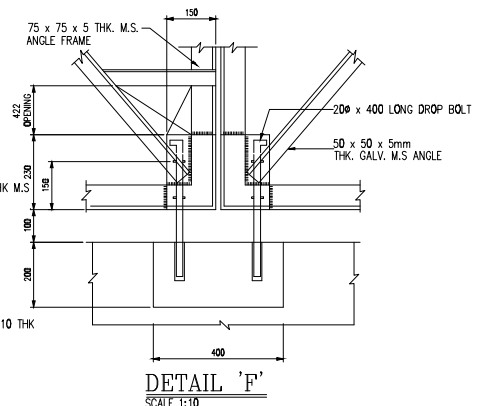
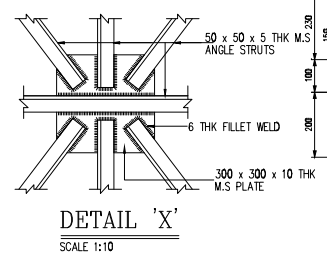
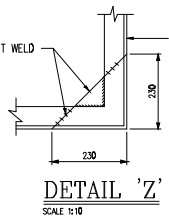
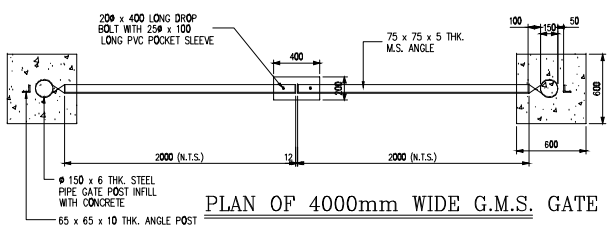
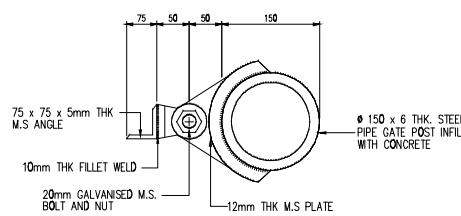
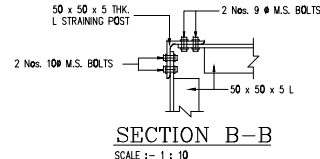
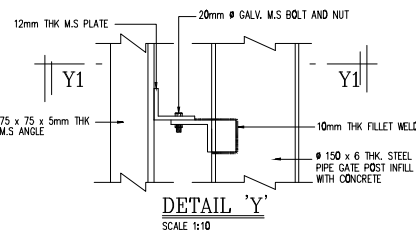
DETAILS OF CHAIN LINK FENCING
SCALE 1:50



SECTION A-A
SCALE 1:40



ELEVATION OF 4000mm WIDE G.M.S. GATE



NOTE:

INVITATION REFERENCE NO:
MCMC/RDD/PDD(4)/T3_Extn(P2)/
TCA/12/14(12)

PROJECT TITLE:

TIME 3 - EXTENSION

DRAWING TITLE:

DRAWING 14:
FENCING DETAILS

DATE: DEC 2014

SCALE: 1:50