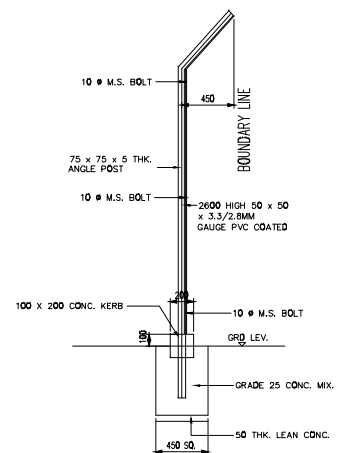
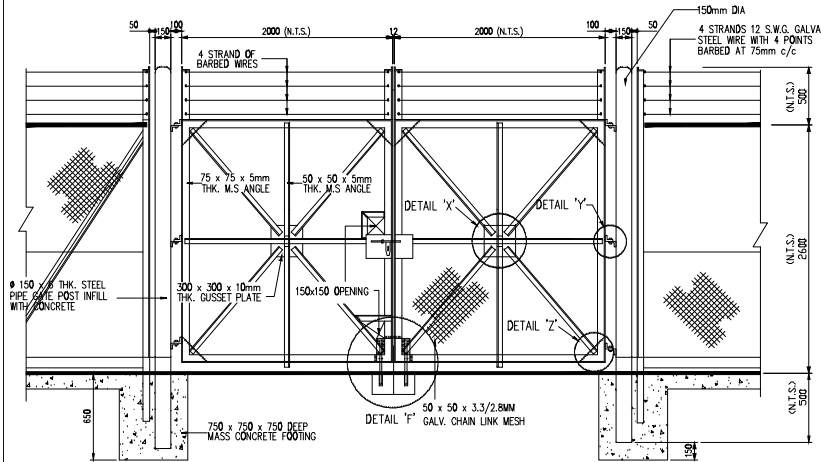


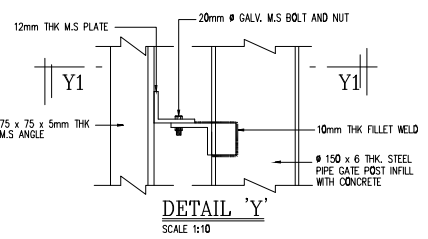
DETAILS OF CHAIN LINK FENCING
SCALE 1:50



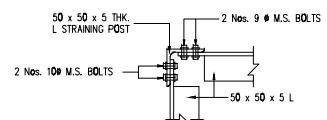
SECTION A-A
SCALE 1:40



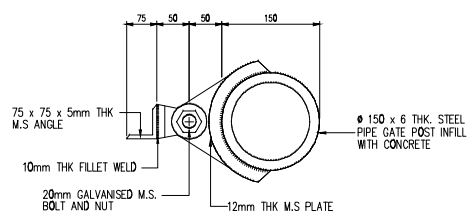
ELEVATION OF 4000mm WIDE G.M.S. GATE



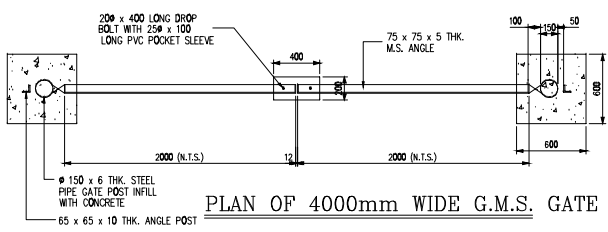
DETAIL 'Y'
SCALE 1:10



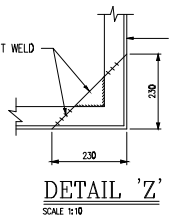
SECTION B-B
SCALE 1:10



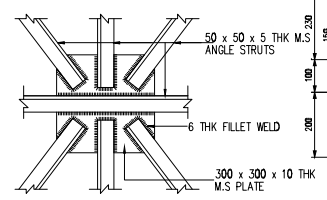
SECTION Y1-Y1
SCALE 1:5



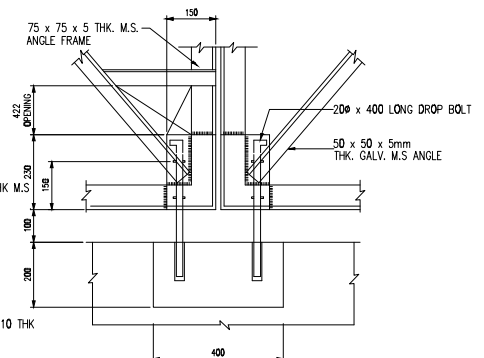
PLAN OF 4000mm WIDE G.M.S. GATE



DETAIL 'Z'
SCALE 1:10



DETAIL 'X'
SCALE 1:10



DETAIL 'F'
SCALE 1:10

NOTE:

INVITATION REFERENCE NO:
MCMC/RDD/PDD(4)/T3_Extn(P2)/
TCA/12/14(12)

PROJECT TITLE:

TIME 3 - EXTENSION
(24M MONOPOLE - SPOKE SITE)

DRAWING TITLE:

DRAWING 14:
FENCING DETAILS

DATE: DEC 2014 **SCALE:** 1:50