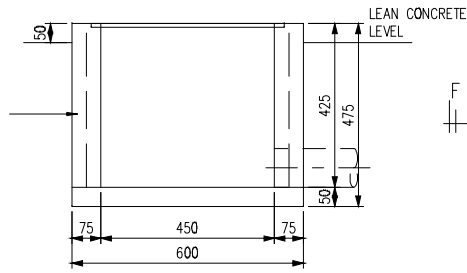
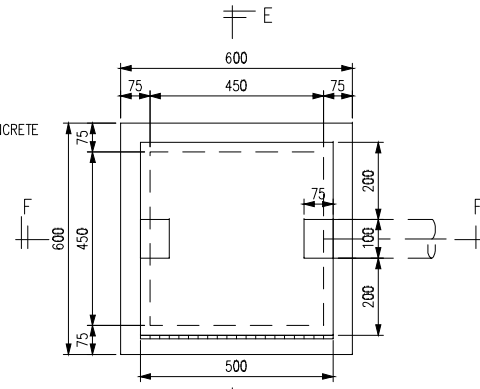


SECTION E-E

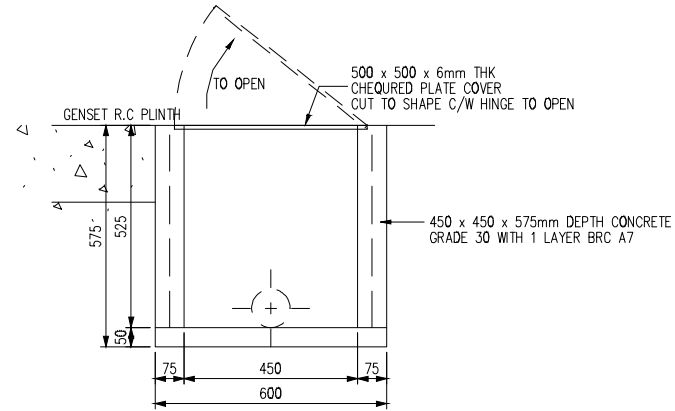
INSPECTION PIT C



SECTION F-F

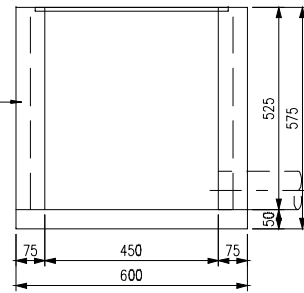


PLAN

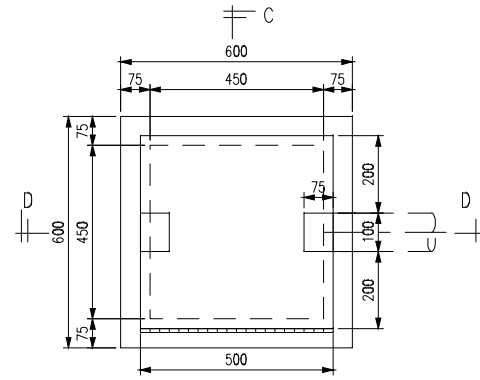


SECTION C-C

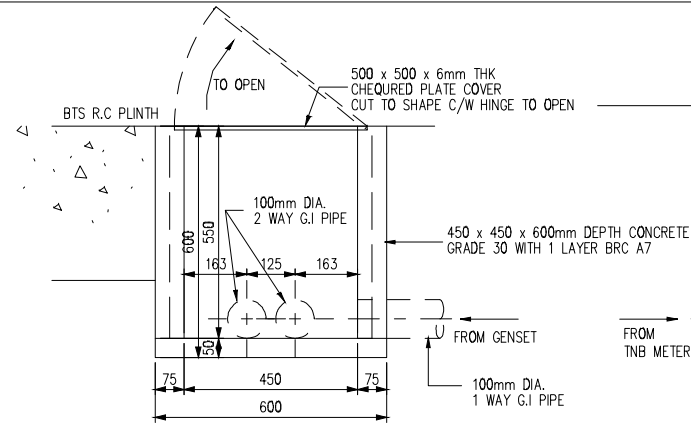
INSPECTION PIT B



SECTION D-D

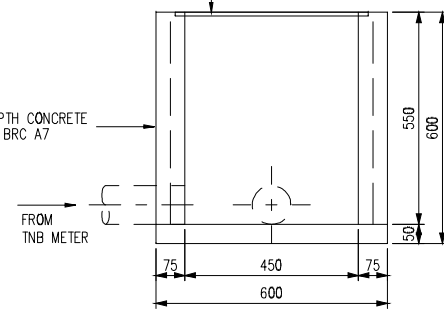


PLAN

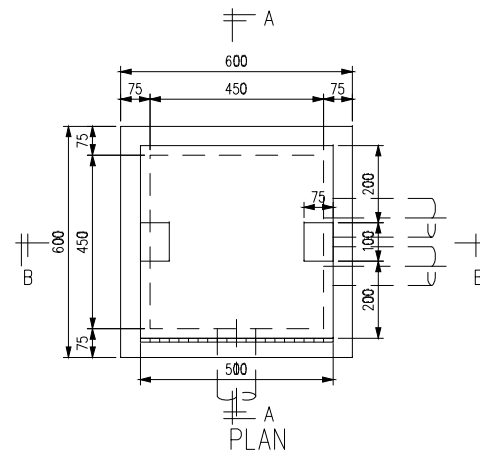


SECTION A-A

INSPECTION PIT A



SECTION B-B



PLAN

NOTE:

INVITATION REFERENCE NO:  
MCMC/RDD/PDD(4)/T3\_Extn(P2)/  
TCA/12/14(12)

PROJECT TITLE:

TIME 3 - EXTENSION  
(24M MONOPOLE - SPOKE SITE)

DRAWING TITLE:

DRAWING 5:  
INSPECTION PIT A,B AND C  
PLAN, SECTION AND DETAILS

DATE:

DEC 2014

SCALE:

1 : 15